



YHJ075C2S

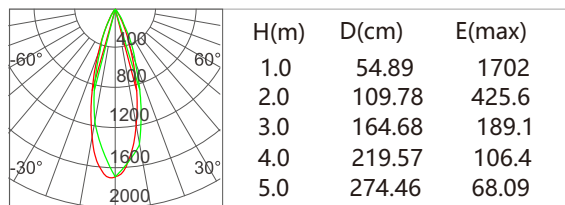
Index code FG.A4

- Wattage : 12W
- Input : 220-240W
- LEDs : HONOURTEK
- CRI : Ra>90
- CCT : 2700K
- SCDM : <3
- Beam : 24°
- lumens : 704lm
- Finish : White
- Material : Die casting aluminum, PC reflector
- Driver : External driver
- Driver brand : Euchips
- IP rating : IP54

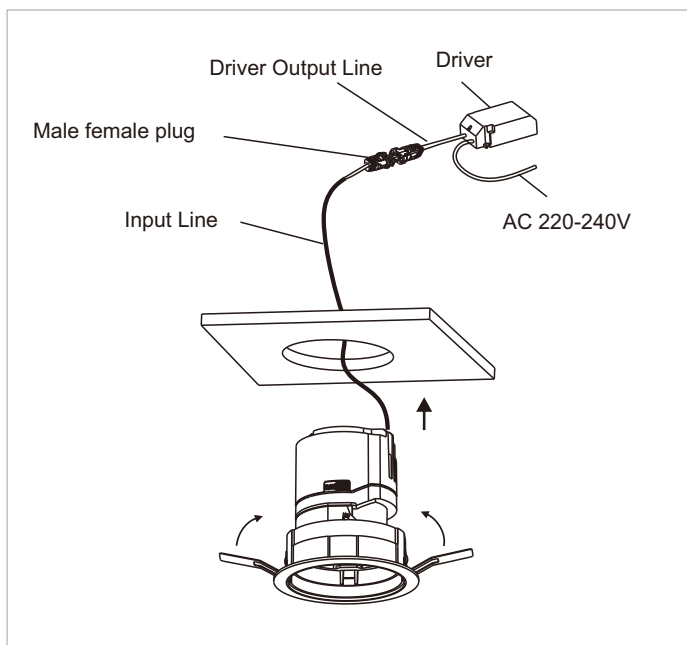


Specifications

Wattage	LEDs	Weight	Cut-out	Diameter(D)	Height(H)	Line Art
12W	1PCS	0.3KG	Φ75mm	Φ85.5mm	81mm	



Installation diagram



Application

